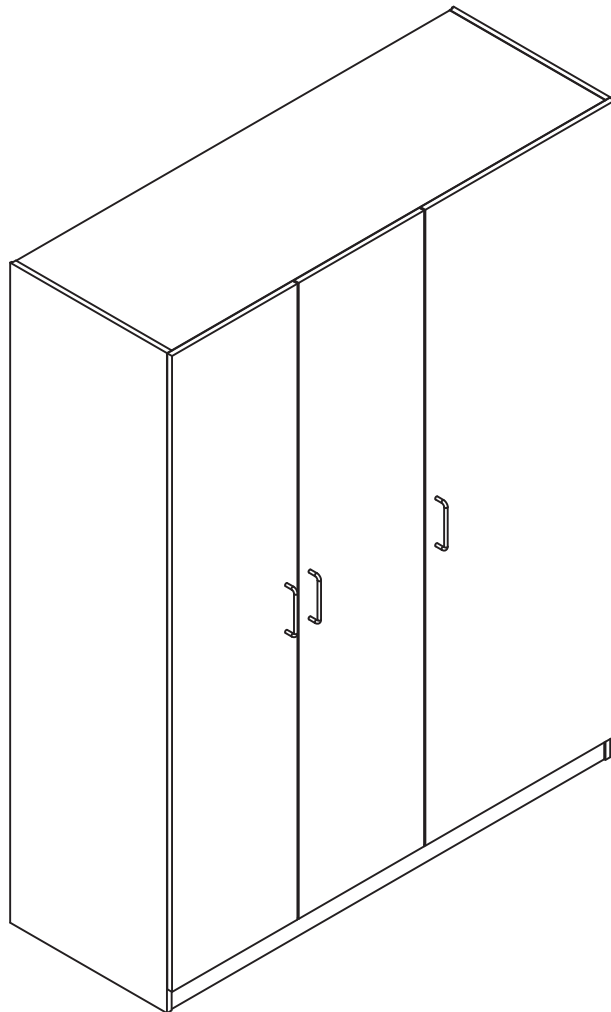


# HALUS

## 옷장 3문 140181

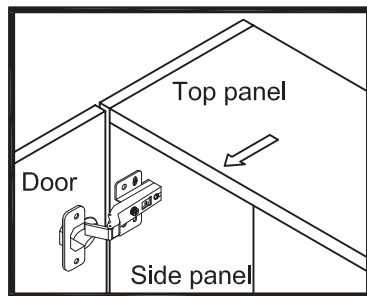


HALUS Wardrobe

## TO ADJUST YOUR DOORS TO MAKE THE GAPS MORE EVEN (OPTIONAL).

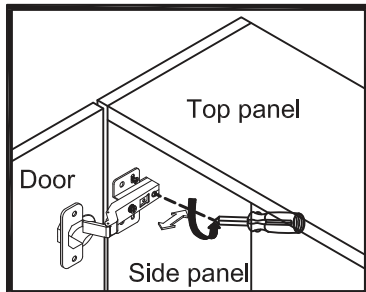
### STEP 1

Open the door.



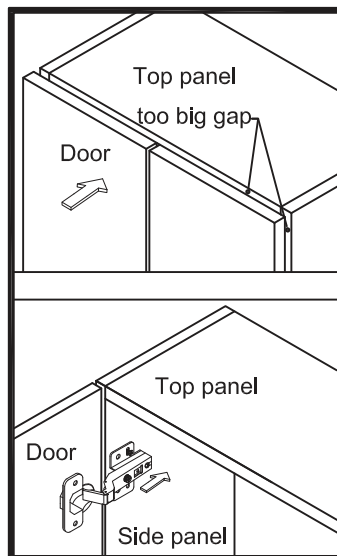
### STEP 2

Adjust the gap between door panel and side panel



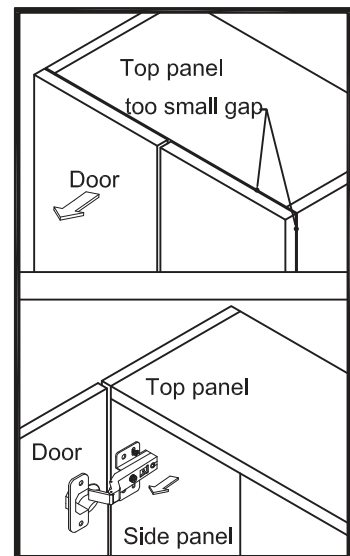
Loosen the screw indicated a little, adjust the hinge to right position (see step 2a & 2b), then tighten the screw.

### STEP 2a MOVE DOOR IN



Push the hinge back a little.

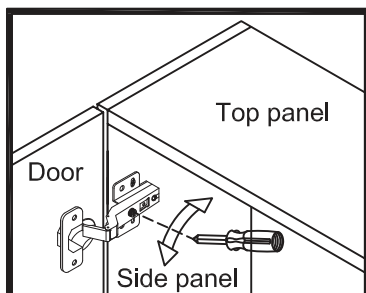
### STEP 2b MOVE DOOR OUT



Pull the hinge forward a little.

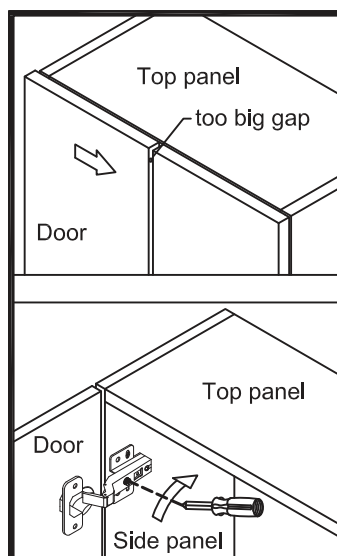
### STEP 3

To adjust the gap between two door



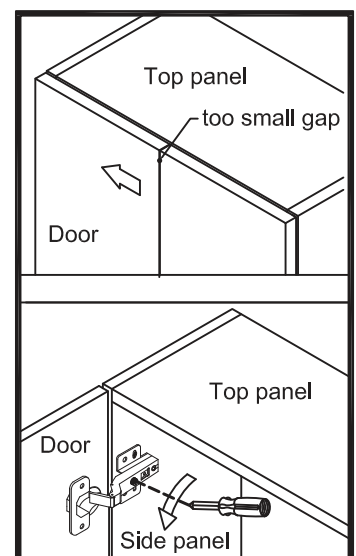
Loosen or tighten the screw indicated a little to adjust the gap between doors panels (see step 3a & step 3b)

### STEP 3a MOVE DOOR RIGHT



Turn the screw clockwise a little as shown to make the gap small.

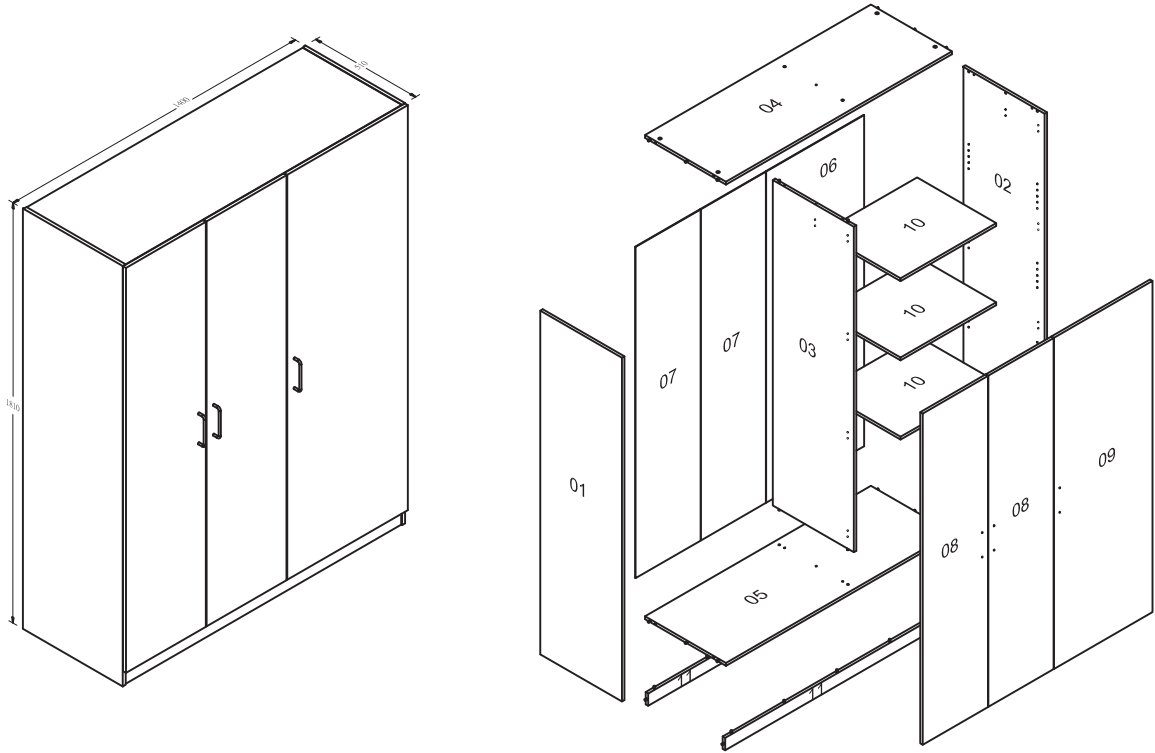
### STEP 3b MOVE DOOR LEFT



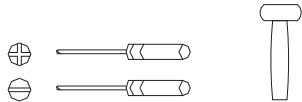
Turn the screw counterclockwise a little as shown to make the gap big.

## TIP

조립전 부품의 이상유무를 반드시 확인해주세요  
조립과정에서의 파손 또는 조립 도중 발견된 불량은 책임지지 않습니다.



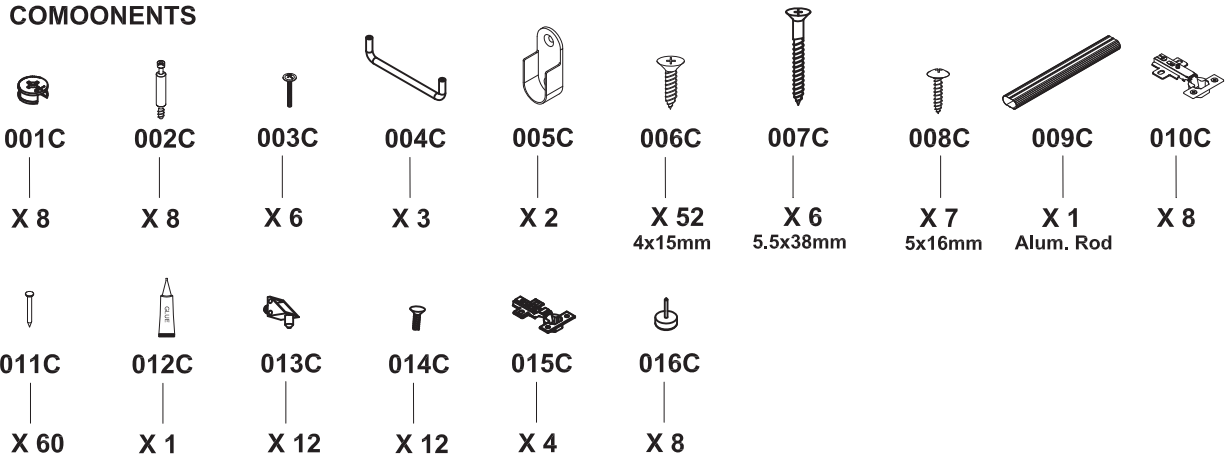
(Tools not provided)  
Flat Blade Screwdriver  
Phillips Head Screwdriver  
Wooden Hammer



To Assemble the Body

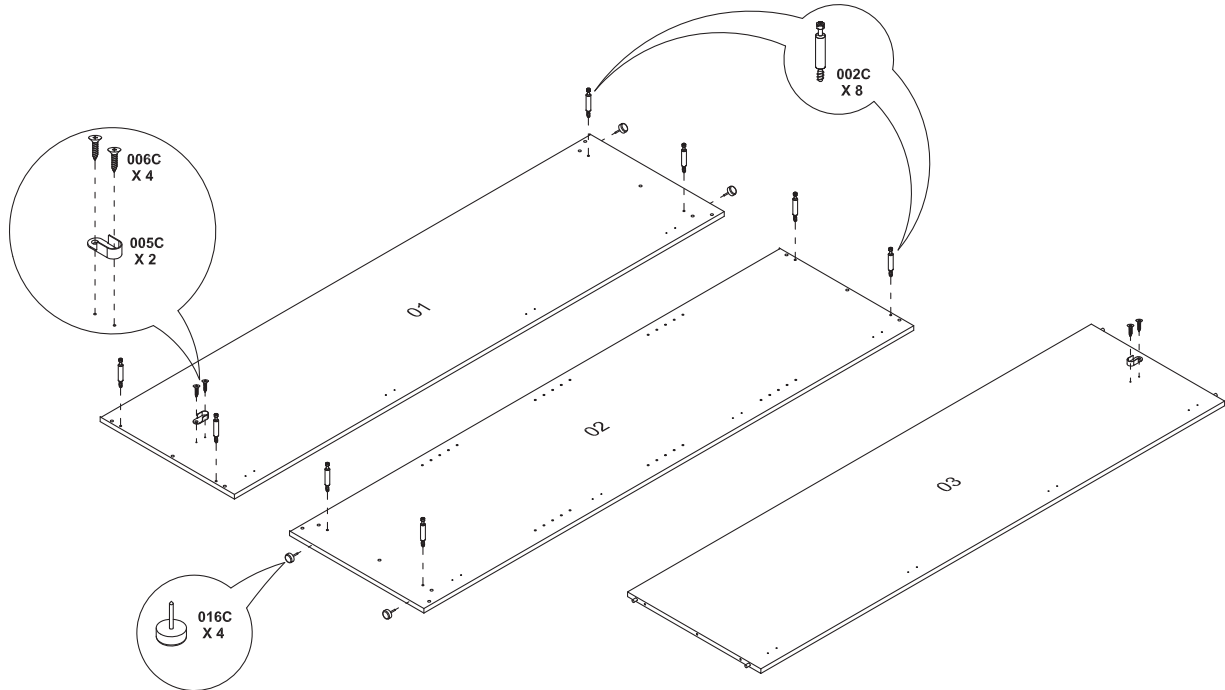
Wooden Hammer

CHECK YOUR  
COMOONENTS



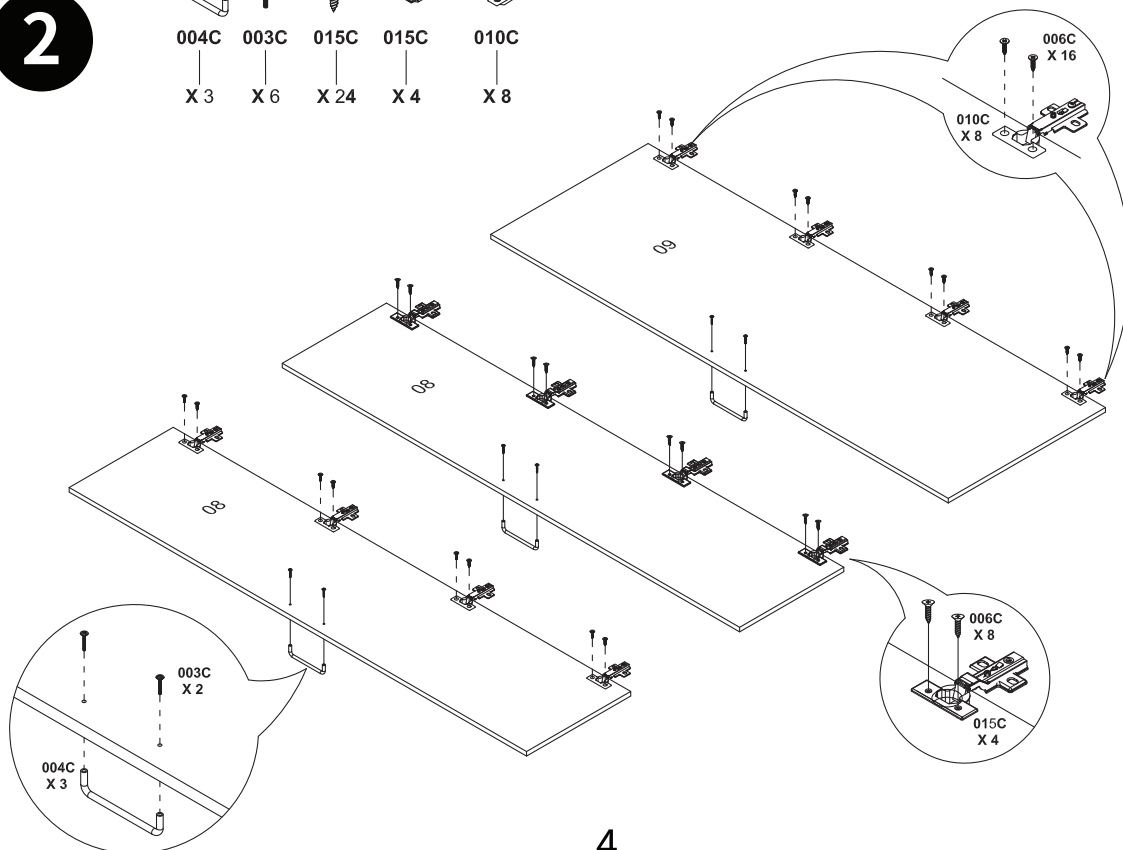
**1**

- 016C X 4
- 002C X 8
- 005C X 2
- 006C X 4



**2**

- 004C X 3
- 003C X 6
- 015C X 24
- 015C X 4
- 010C X 8

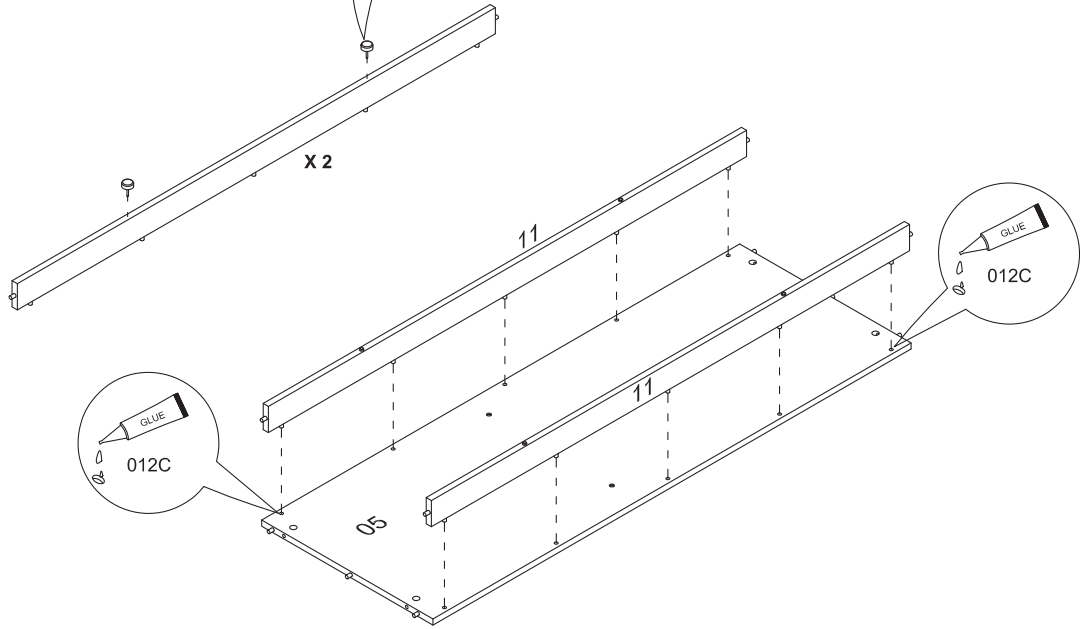


**3**

016C  
X 4

012C

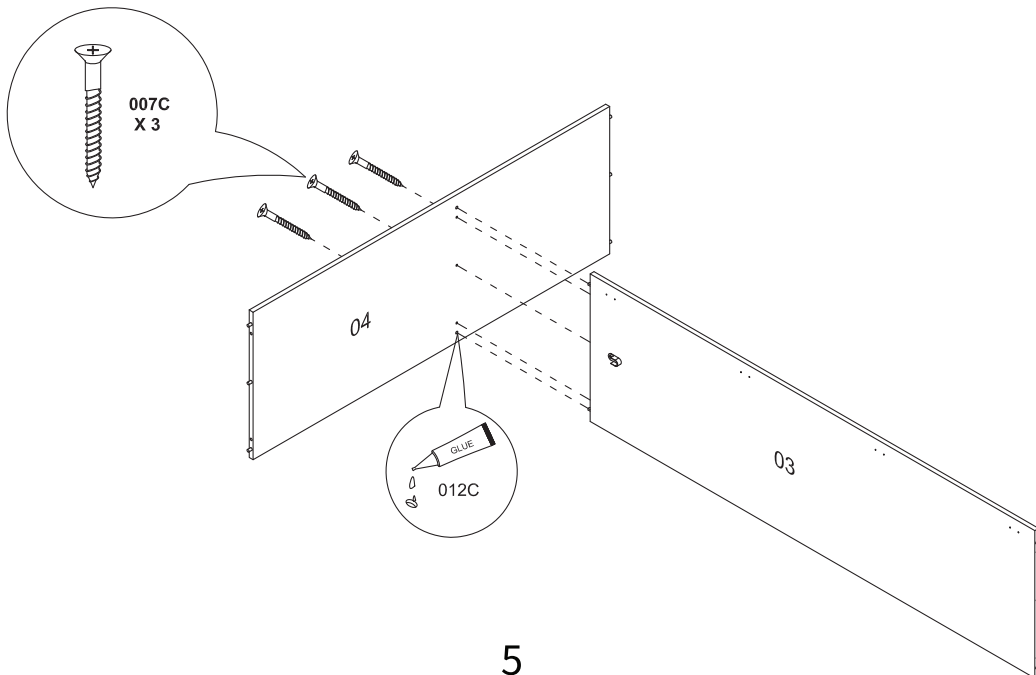
016C  
X 4



**4**

012C

007C  
X 3



5

5

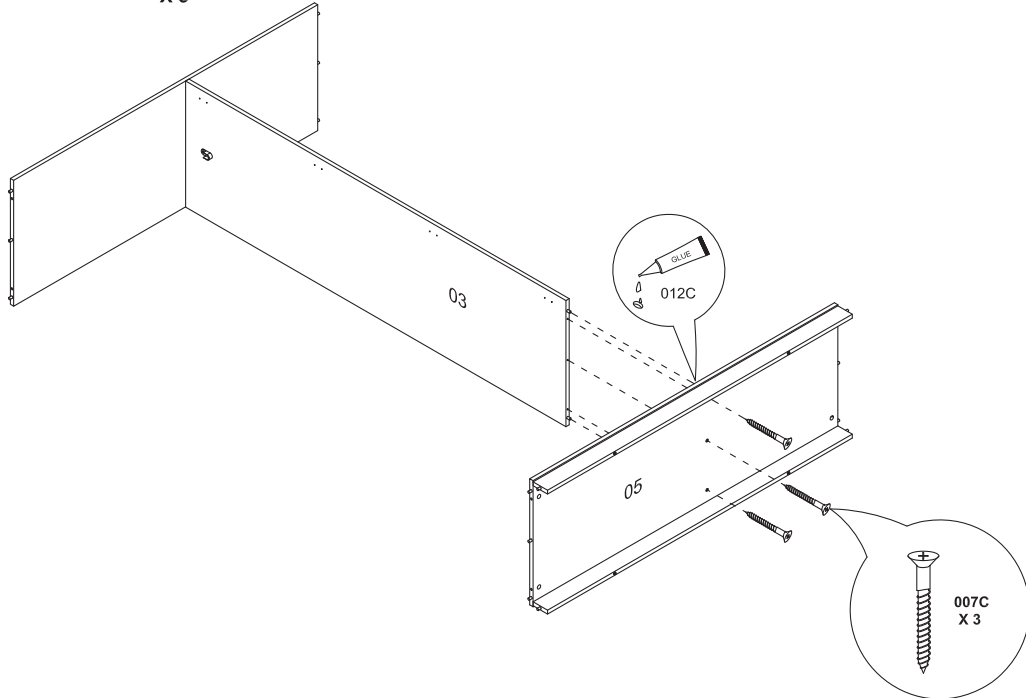


012C



007C

X 3



6

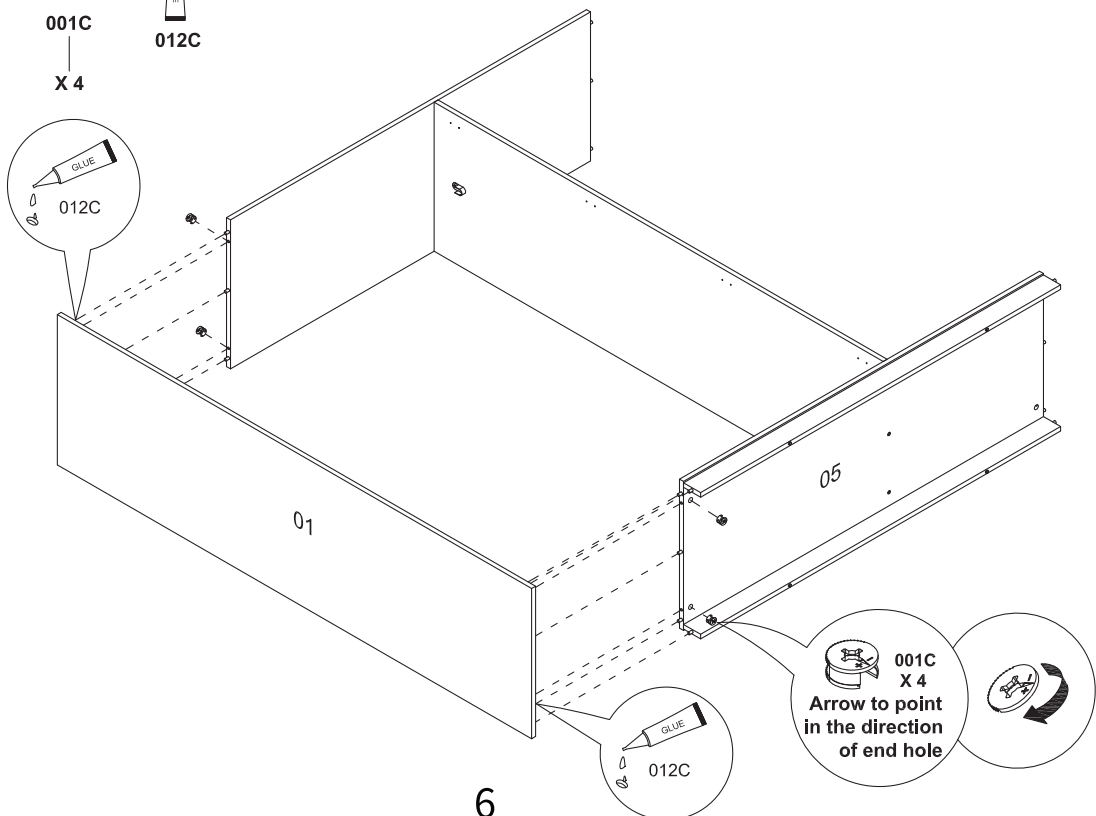


001C

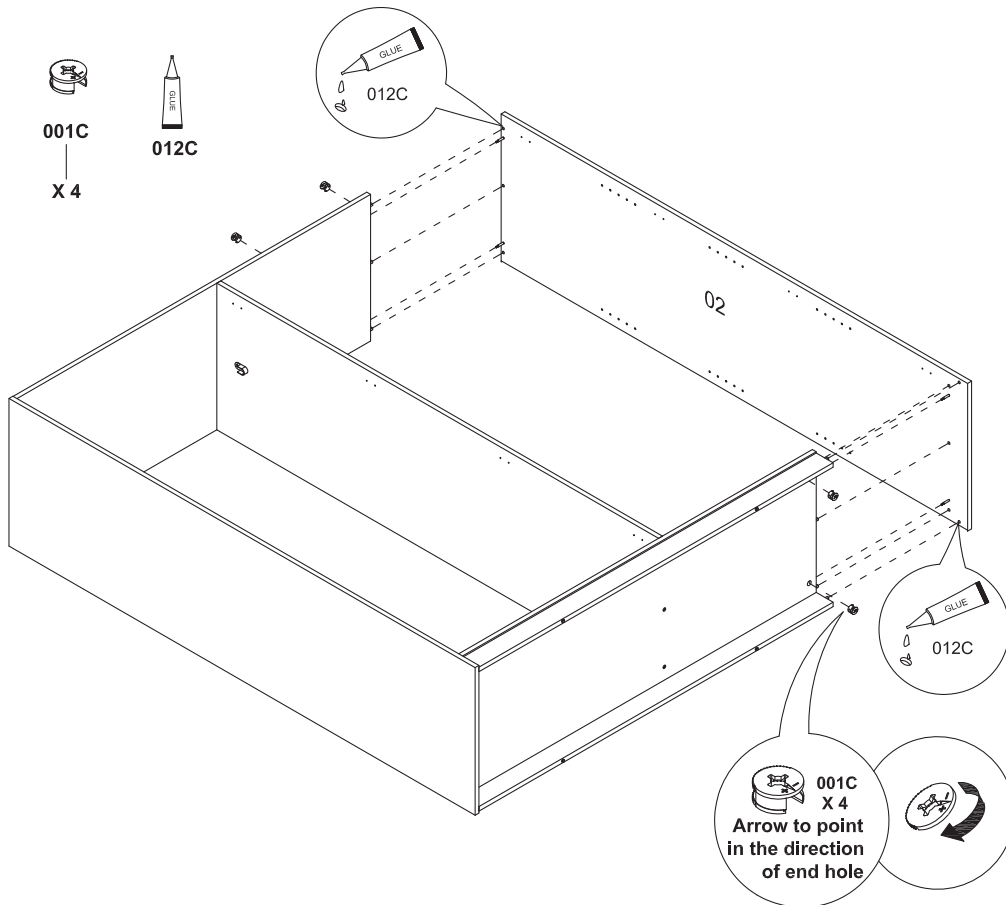
X 4



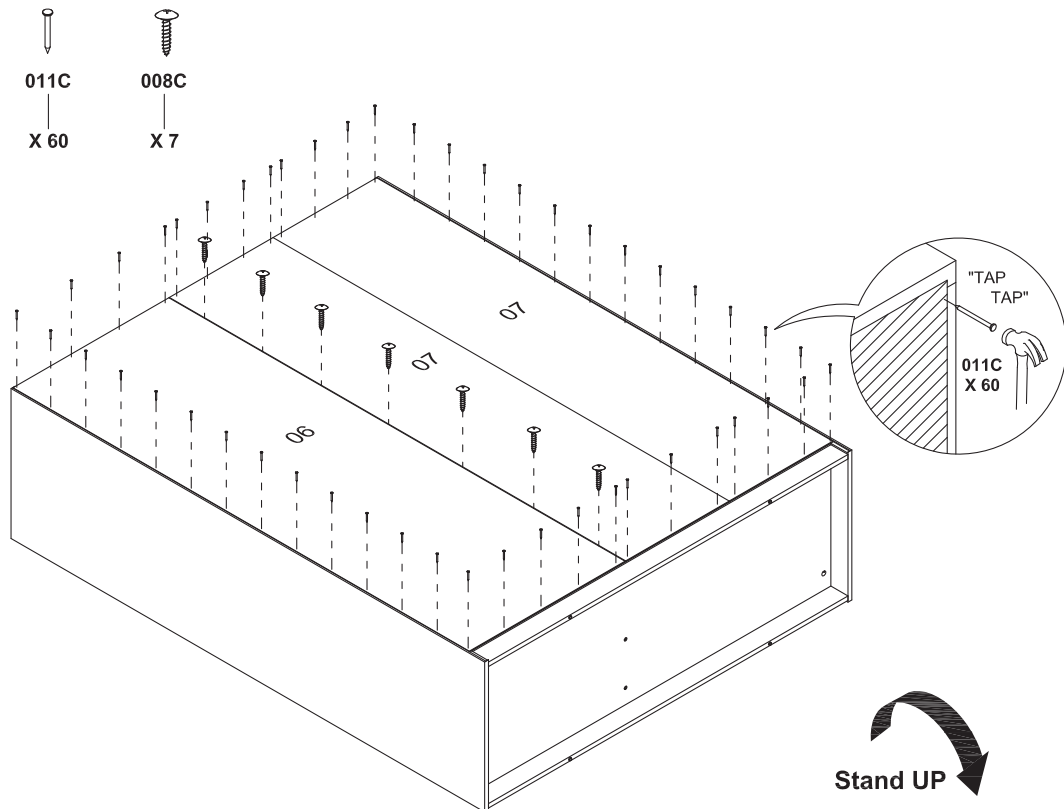
012C



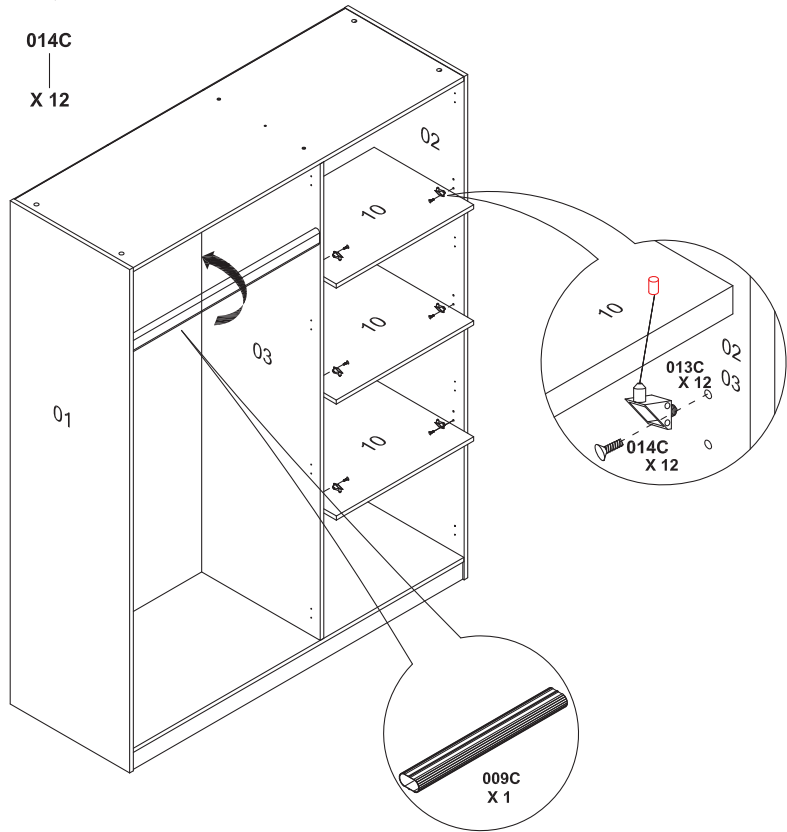
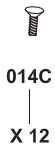
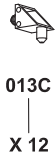
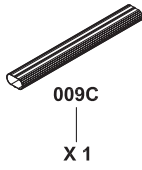
7



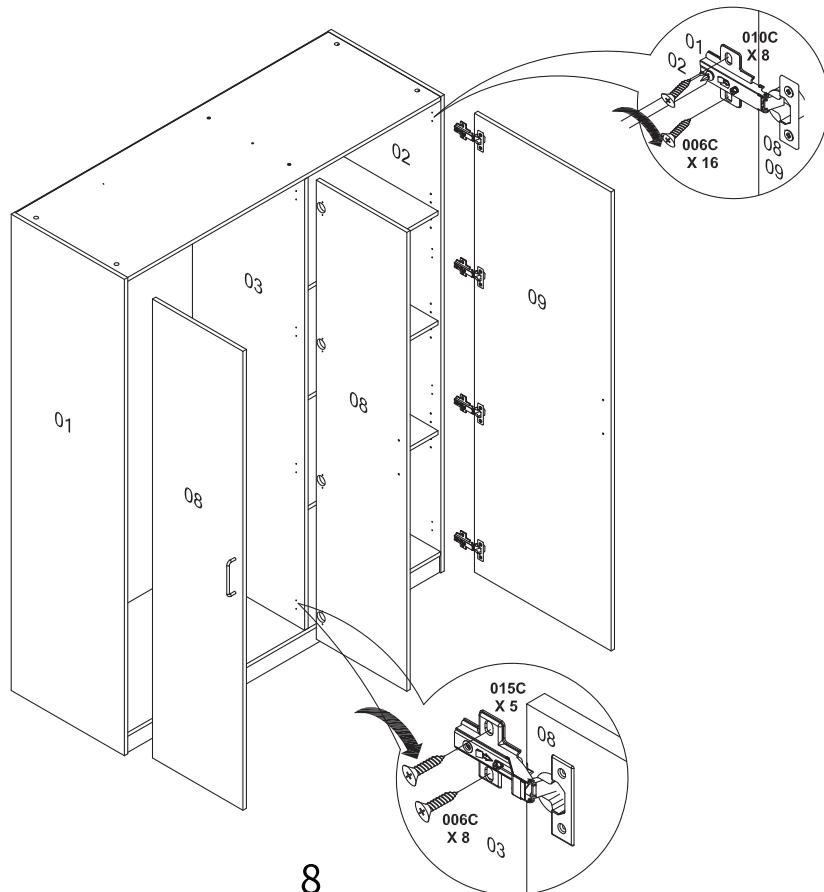
8



9



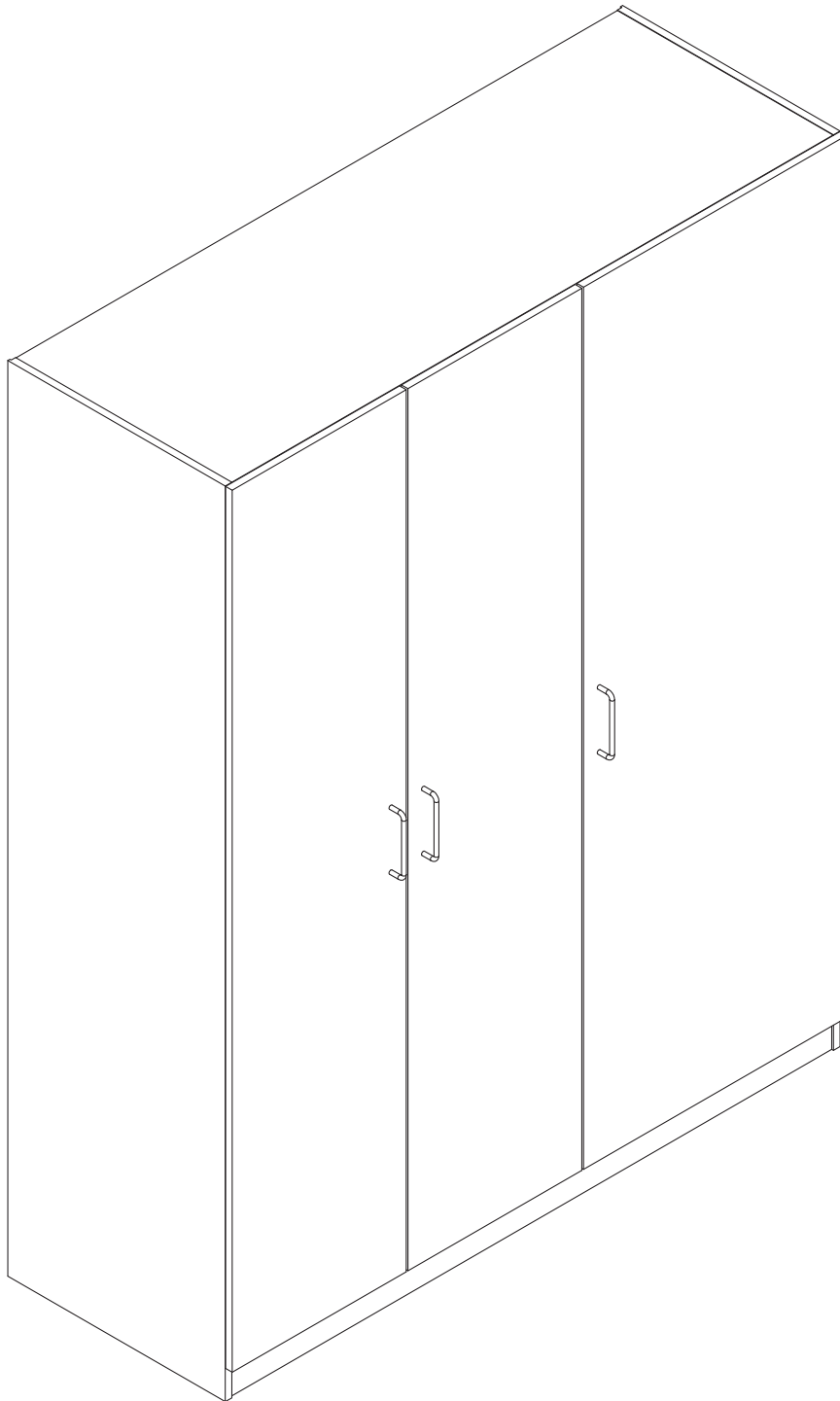
10



8



**11**



*The job is now complete!*

Carton (1/2)

Hard Ware

No4 x 1pc

No5 x 1pc

No6 x 1pc

No7 x 2pcs

No9 x1pc

No10 x 3pcs

No11 x 2pcs

Carton (2/2)

No1 x 1pc

No2 x 1pc

No3 x 1pc

No8 x 2pcs