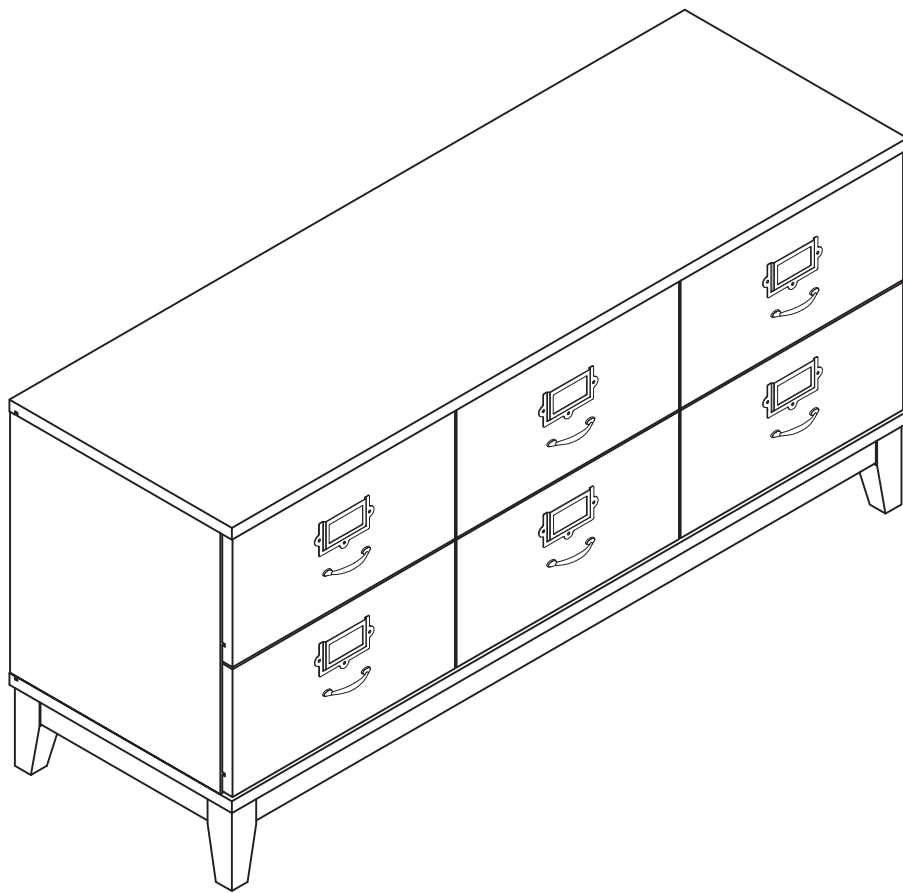


# Assembly Instructions

## Naples - 6 Drawer Dresser



**E1 test result: Passed**

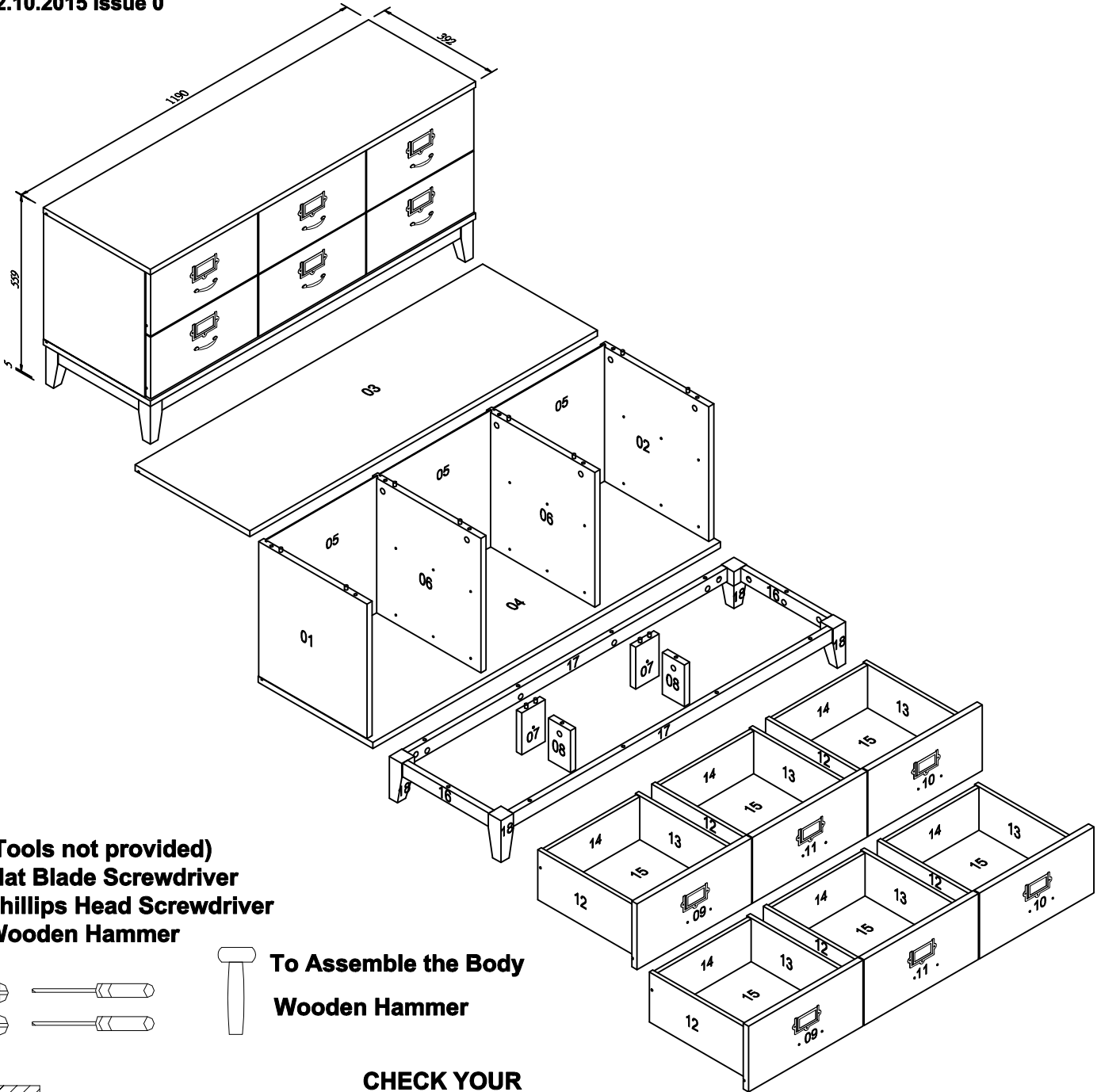
마켓비  
**marketB**



# HERE'S HOW

## Naples - 6 Drawer Dresser

22.10.2015 Issue 0















(Tools not provided)  
**Flat Blade Screwdriver**  
**Phillips Head Screwdriver**  
**Wooden Hammer**



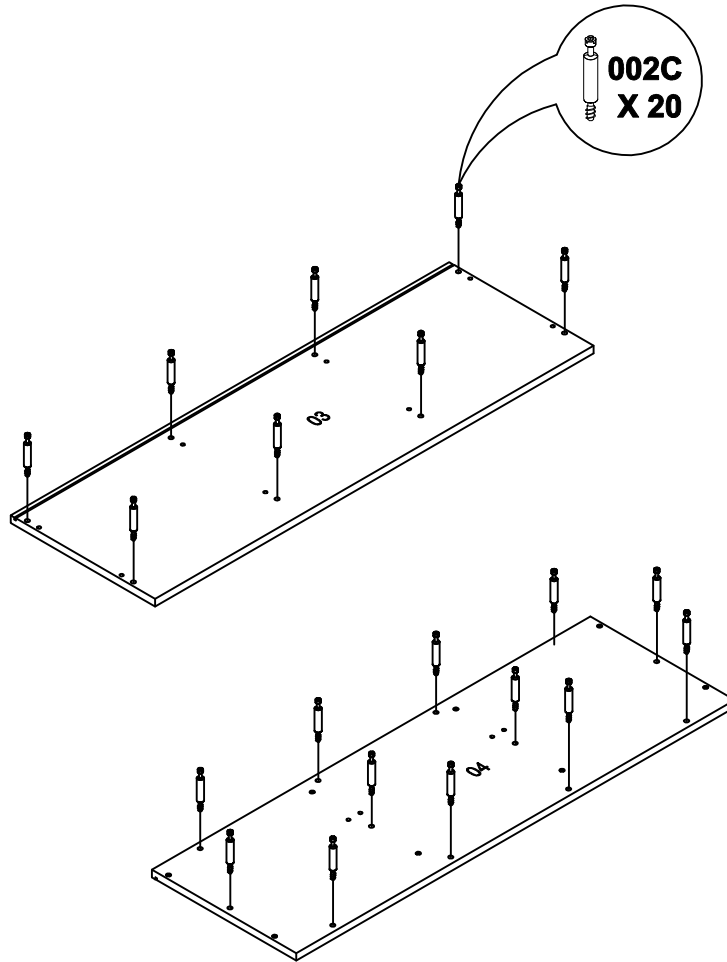
 DENOTES RAW EDGE OR SURFACE

**CHECK YOUR COMPONENTS**

- |   |   |   |   |   |   |   |   |   |   |
|---|---|---|---|---|---|---|---|---|---|
|   | (5.5 x 45mm)  | (4X30mm)  | (3x 18mm)   |   |   |   |   | (3X12mm)  | (5.6X11mm)  |
|  |  |  |  |  |  |  |  |  |  |
| <b>001C</b>   | <b>002C</b>   | <b>003C</b>   | <b>004C</b>   | <b>005C</b>   | <b>006C</b>   | <b>007C</b>   | <b>008C</b>   | <b>009C</b>   | <b>010C</b>   |
| X 40  | X 40<br>(4X22mm)  | X 10  | X 12  | X 12  | X 12  | X 1   | X 6   | X 36  | X 36  |
|   |  |   |   |   |   |   |   |   |   |
| <b>011C</b>   | <b>012C</b>   |   |   |   |   |   |   |   |   |
| X 6   | X 12  |   |   |   |   |   |   |   |   |

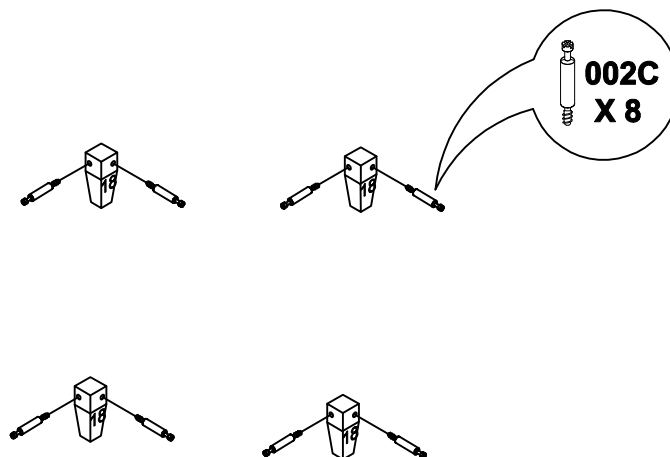
**STEP 1** Will require these parts:

002C  
X20



**STEP 2** Will require these parts:

002C  
X8



**STEP 3**

Will require these parts:



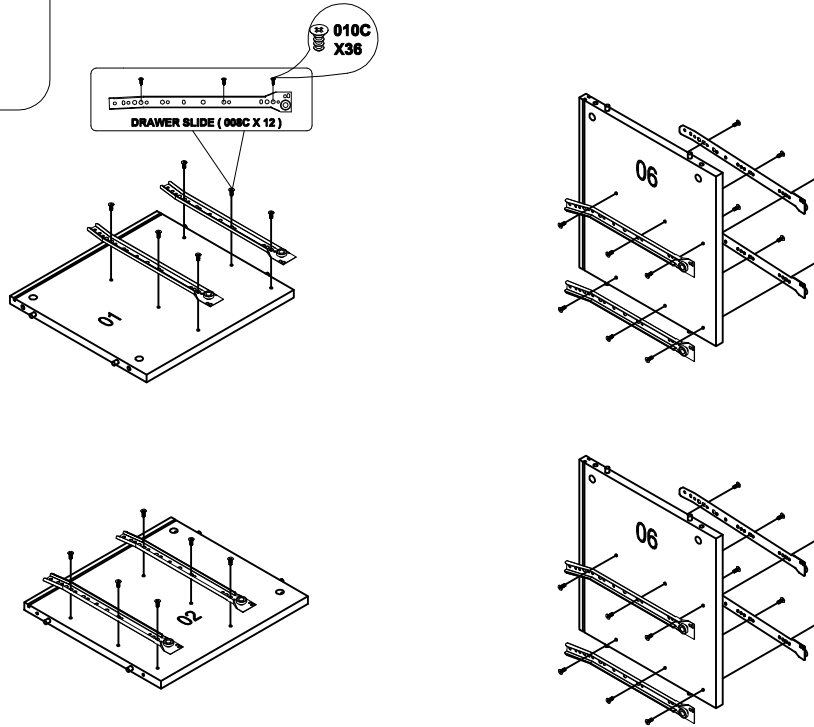
008C

X12



010C

X36



**STEP 4**

Will require these parts:



002C

X2



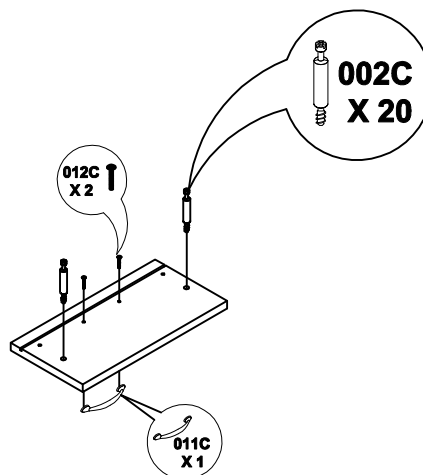
011C

X1

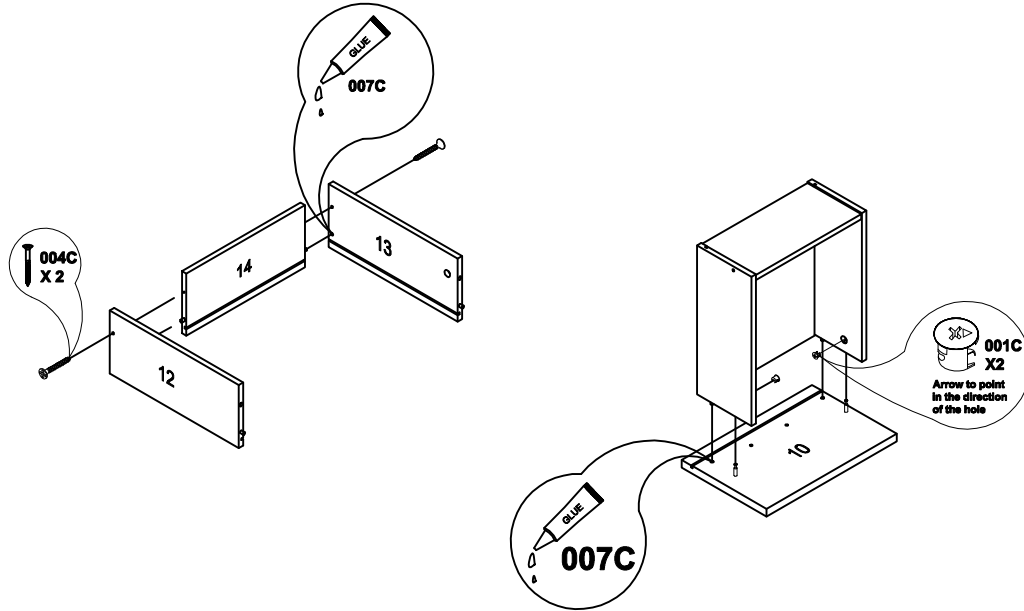
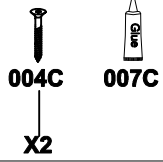


012C

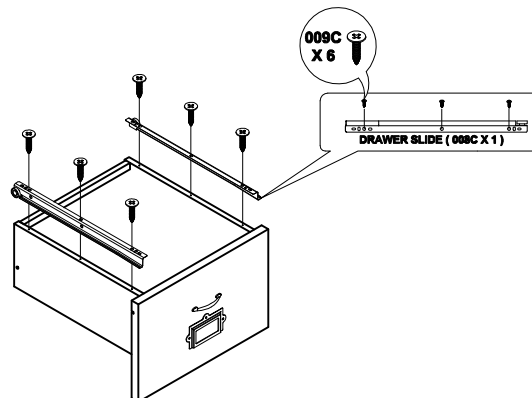
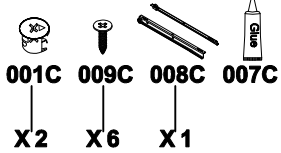
X2



**STEP 5** Will require these parts:

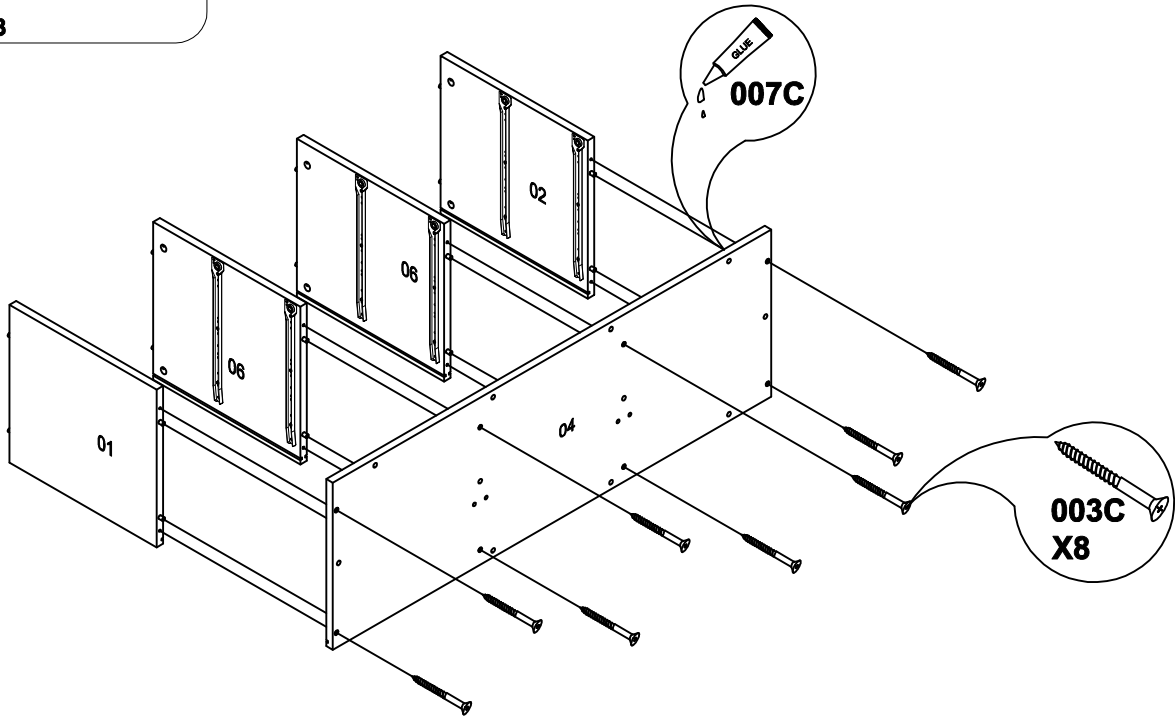
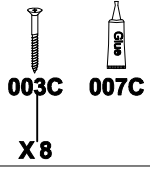


**STEP 6** Will require these parts:

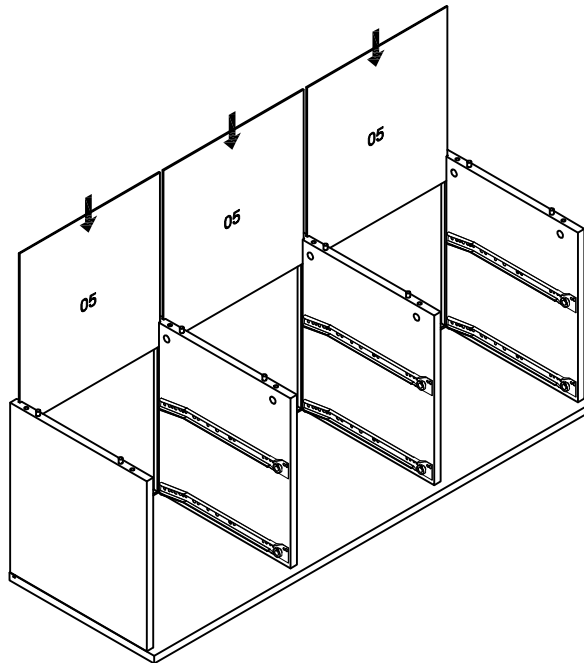


REPEAT STEPS 4 TO 6  
FOR THE FOUR DRAWER.

**STEP 7** Will require these parts:





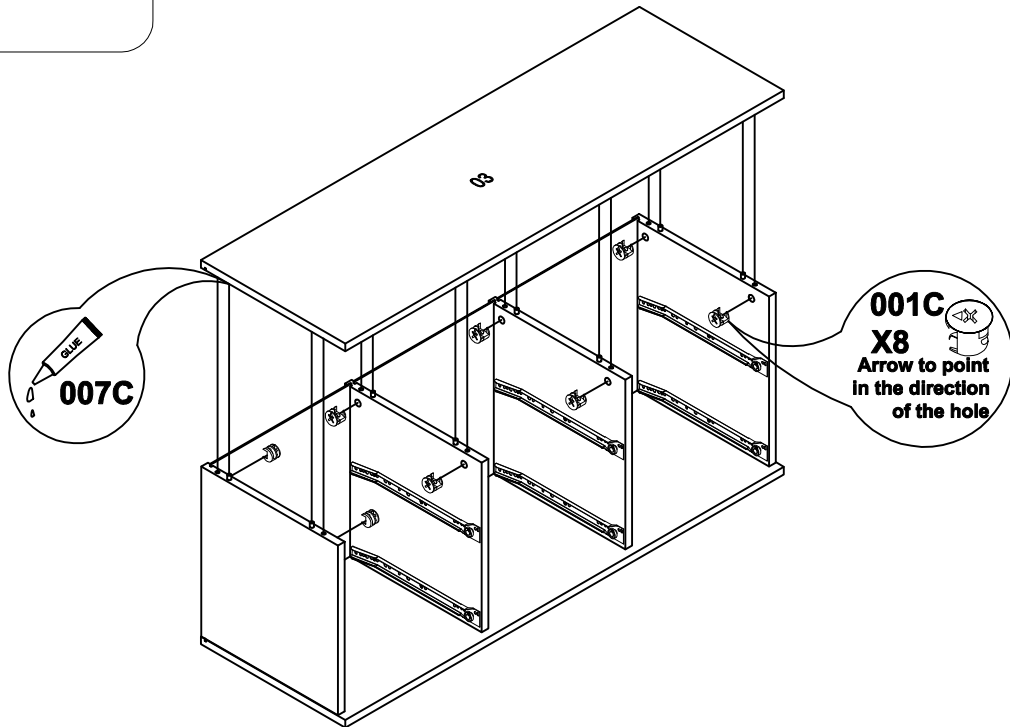
**STEP 8**



**STEP 9**




Will require these parts:

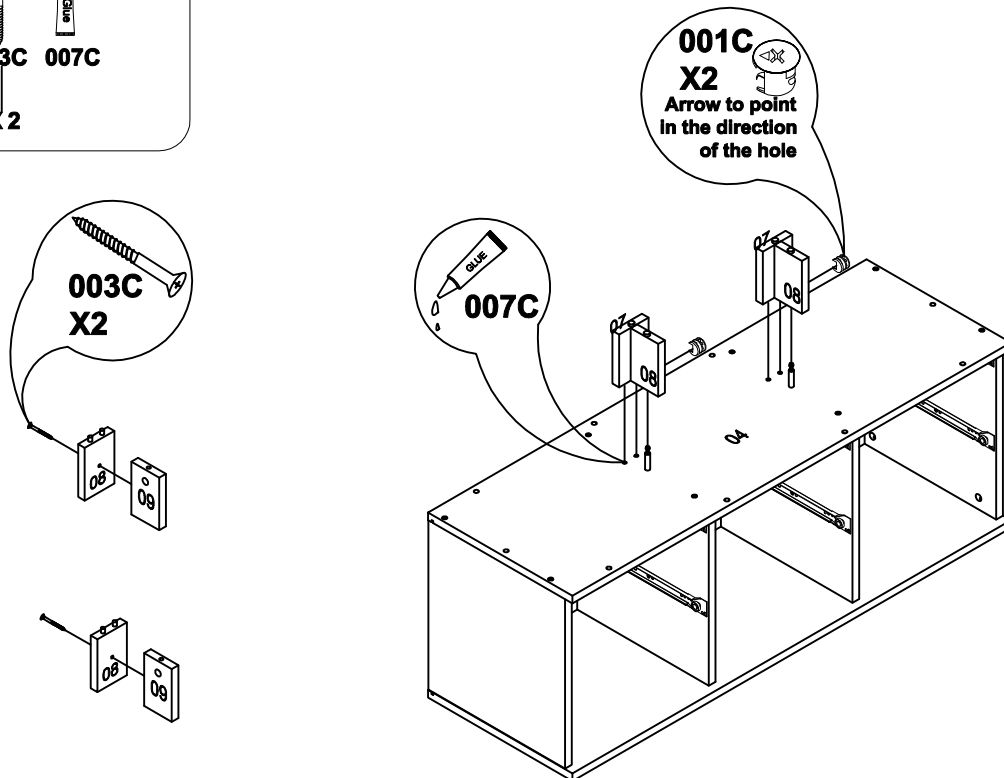
-  001C
-  007C
- X8



**STEP 10**

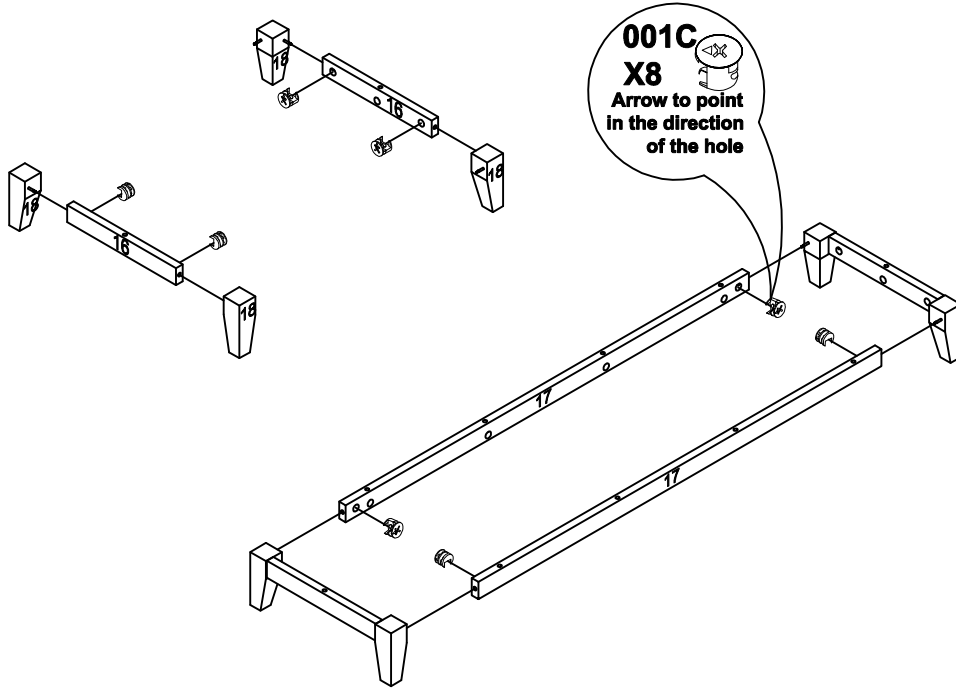
Will require these parts:

-  001C
-  003C
-  007C
- X2
- X2



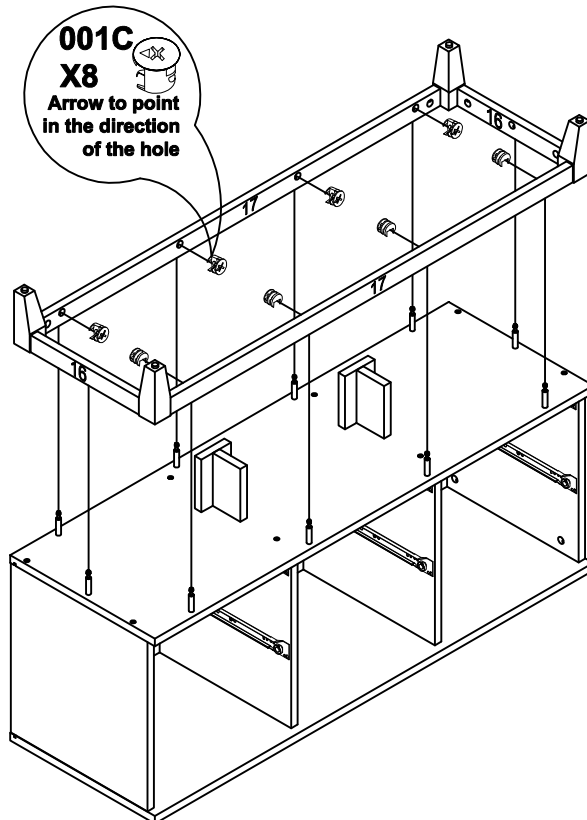
**STEP 11** Will require these parts:

  
**001C**  
—  
**X8**



**STEP 12** Will require these parts:

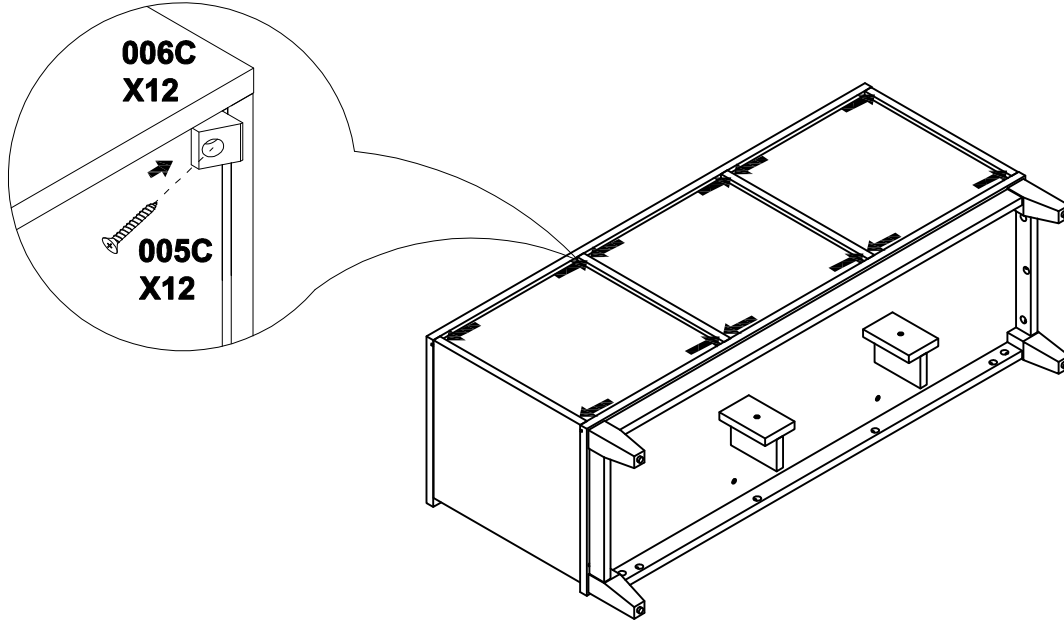
  
**001C**  
—  
**X8**



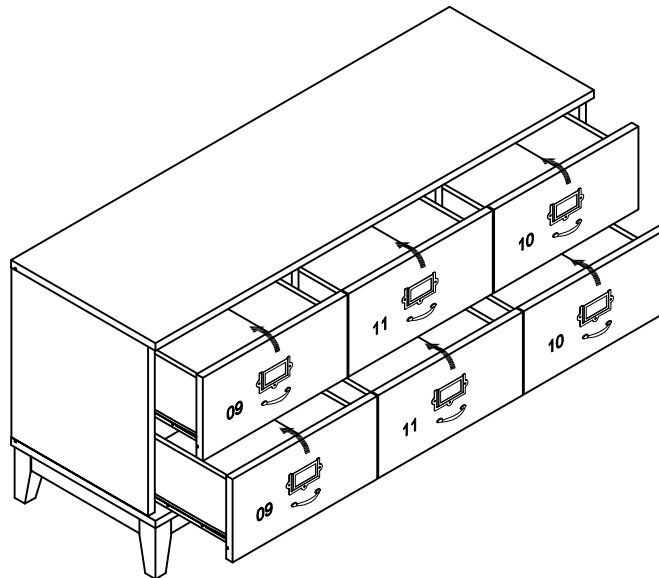


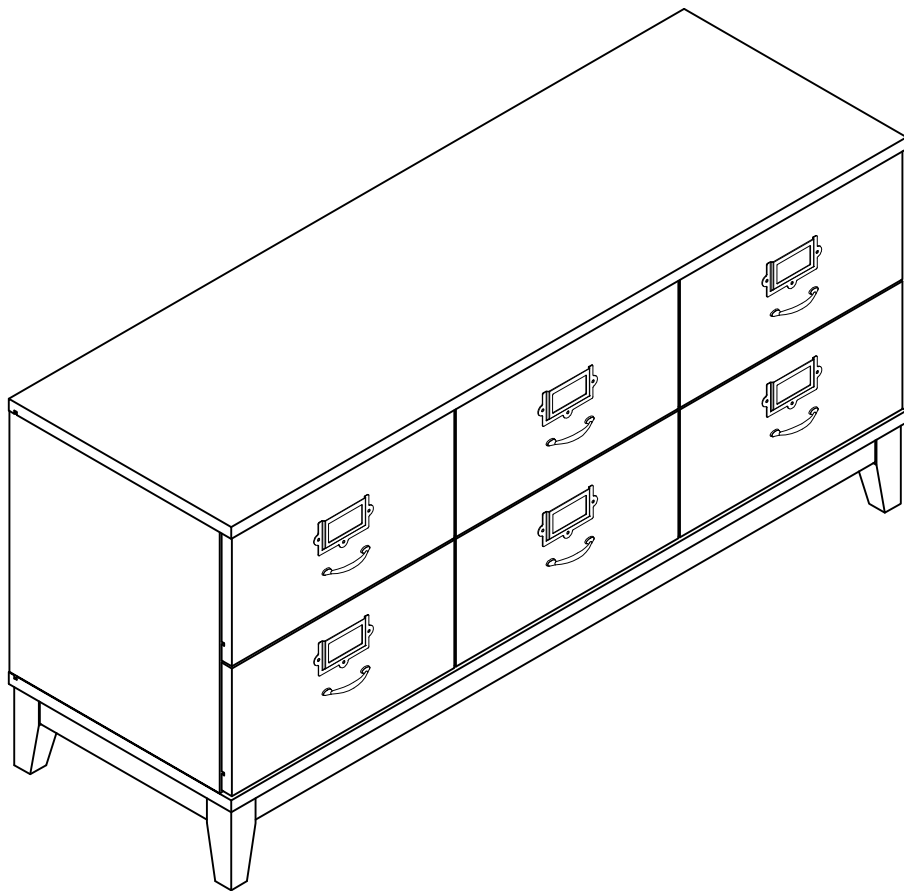
**STEP 13** Will require these parts:

- 005C X 12
- 006C X 12



**STEP 14**





**The job is now complete!**

**In the interest of our environment  
please dispose of all packaging thoughtfully.**